


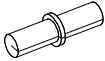


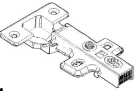
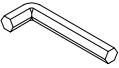

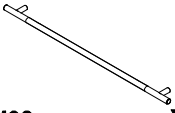

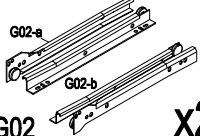
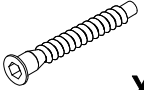
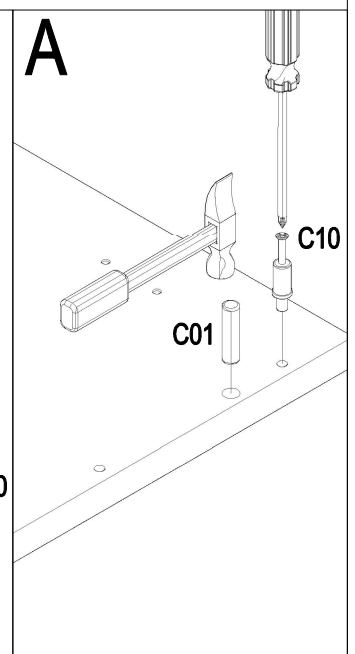
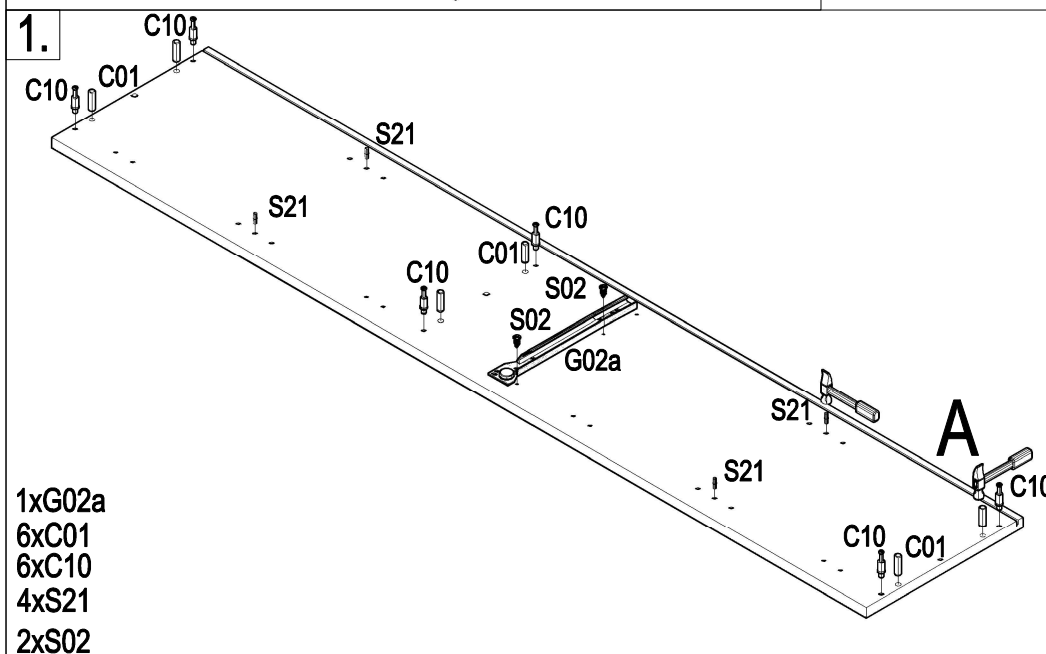
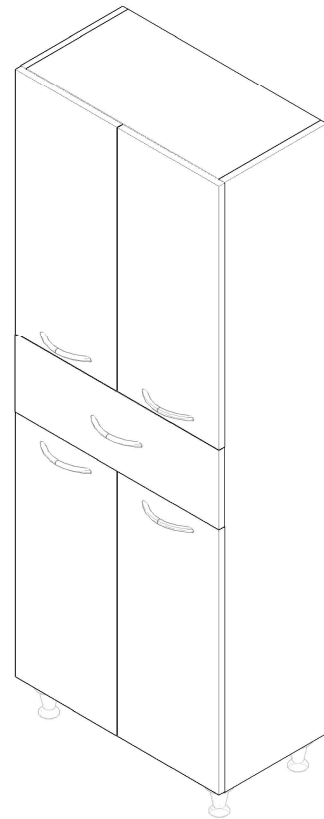
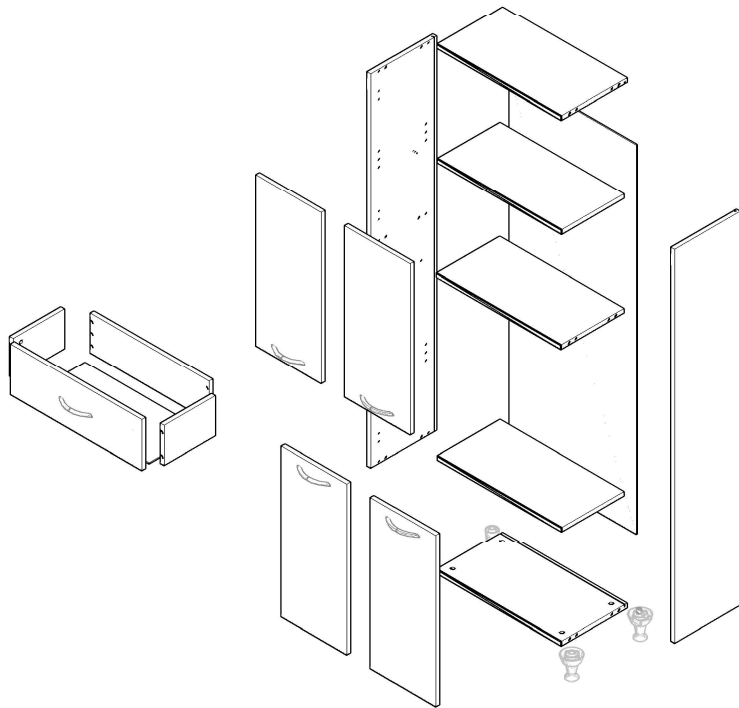
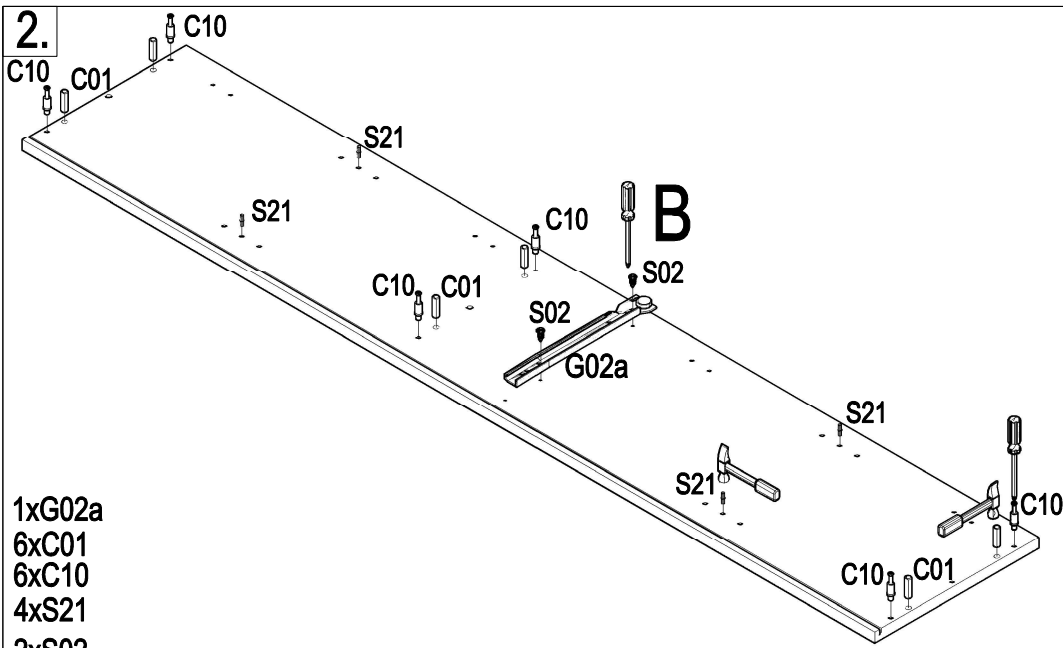


NR. 11

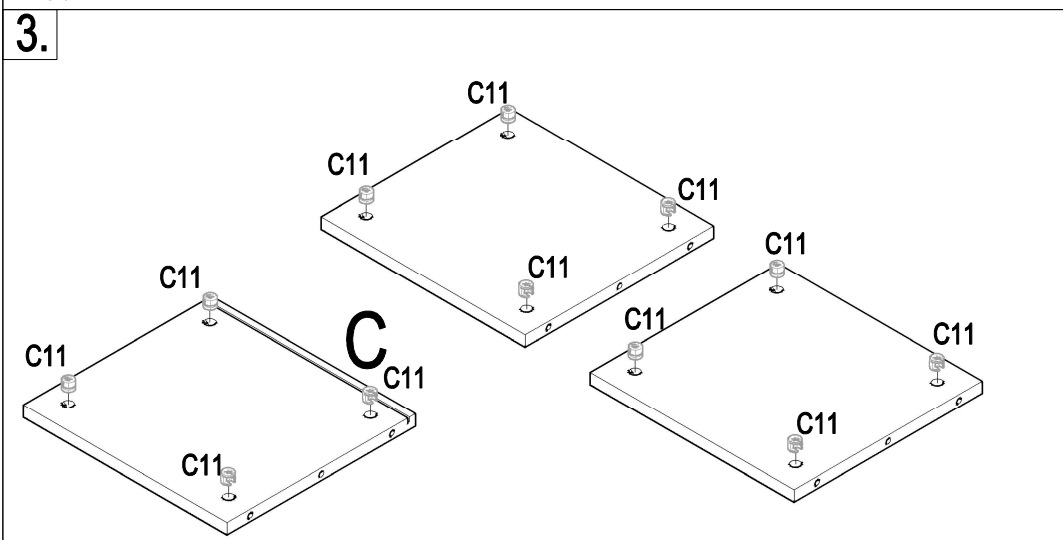
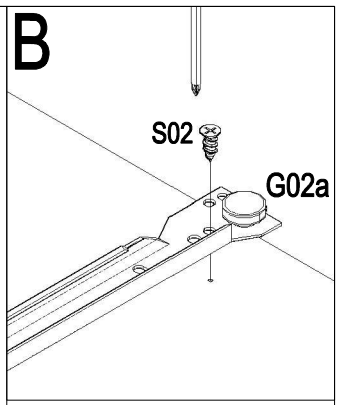
 3.5x16 S02 x67	 M4x22 S11 x10	 C01 x19	 S21 x10	 C10 x16	 C11 x16
 B01 x8	 D01 x1	 M01 x4	 M02 x1	 P02 x4	 G02-a G02-b G02 x2

 7x50 S01 x2
--

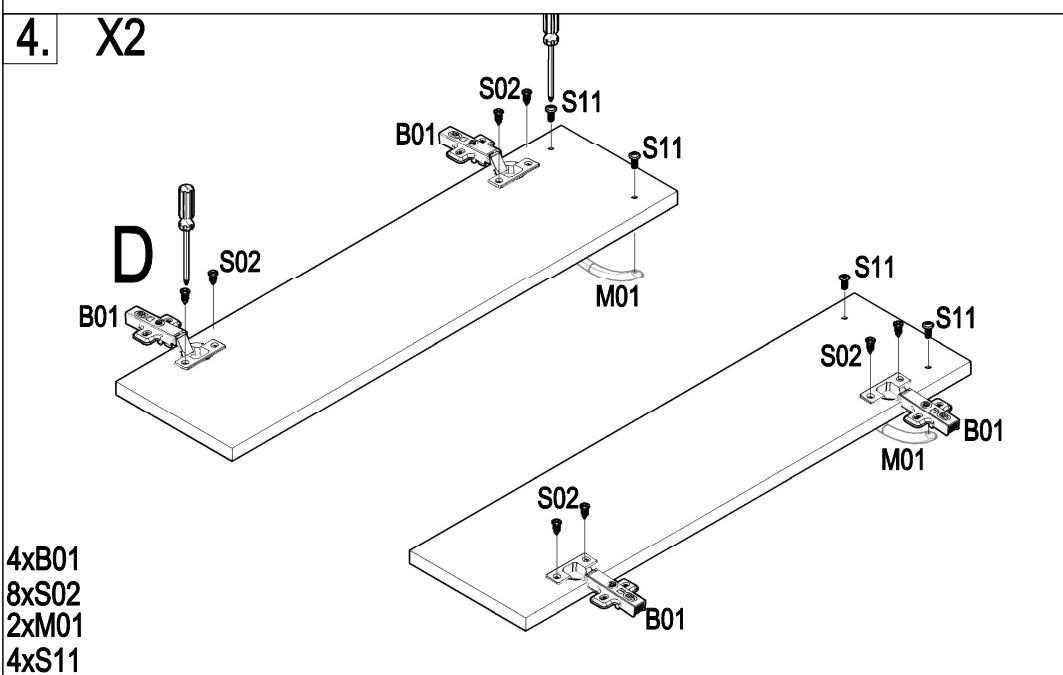
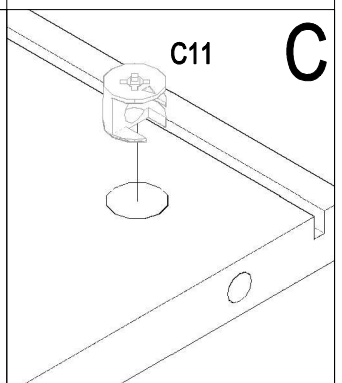




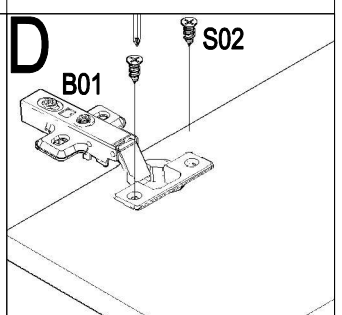
- 1xG02a
- 6xC01
- 6xC10
- 4xS21
- 2xS02

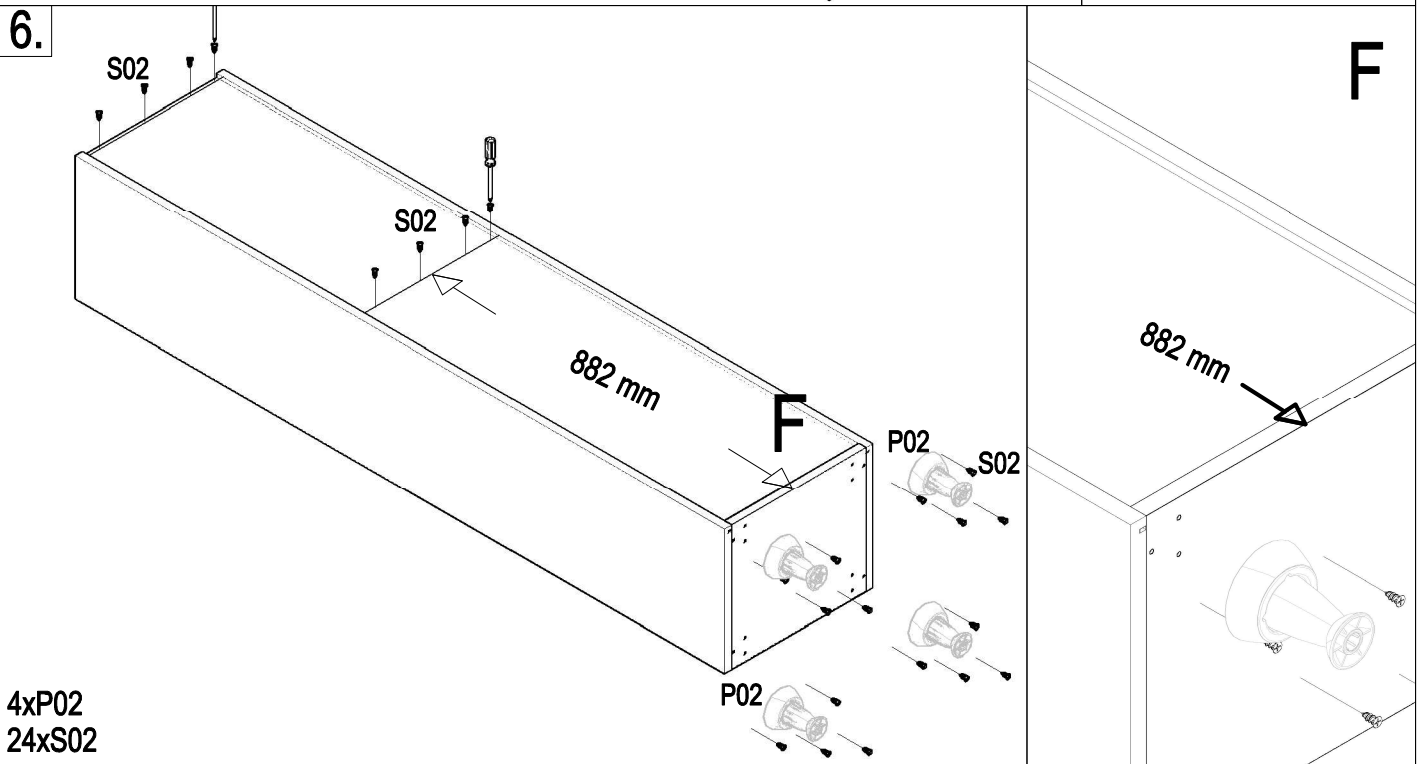
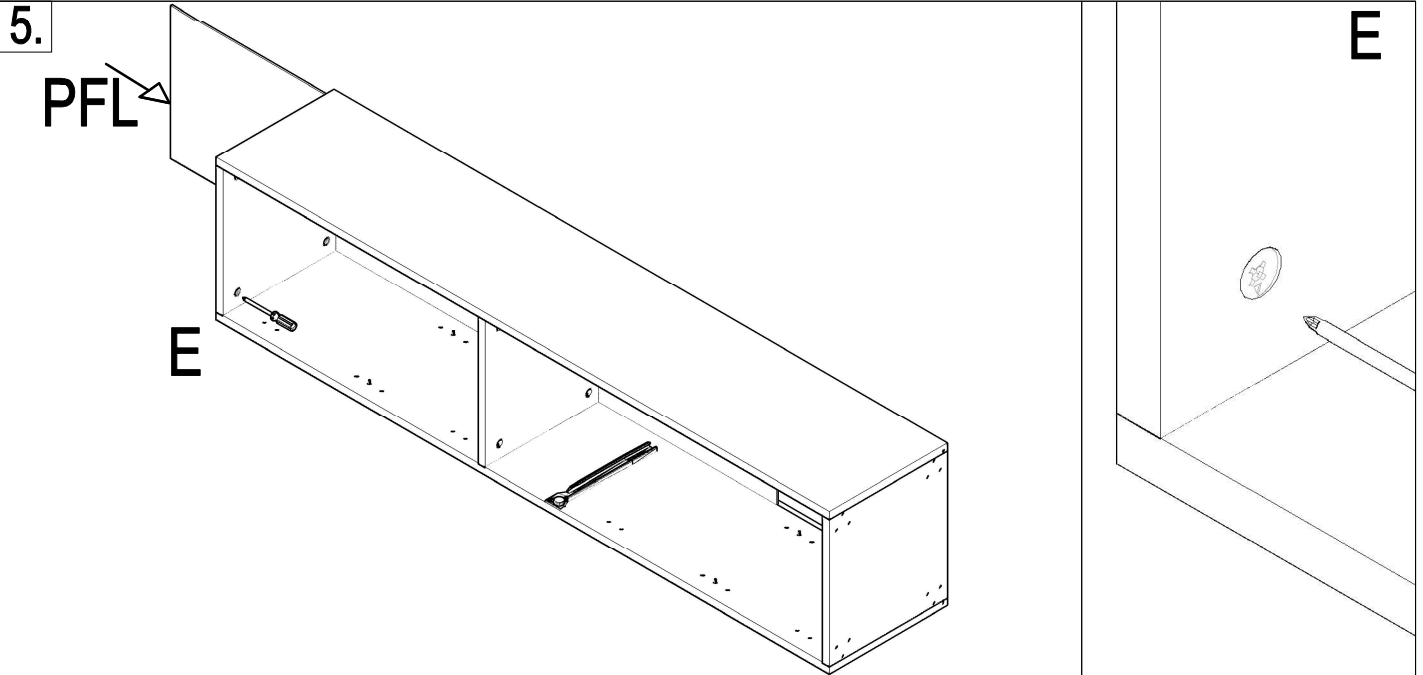


- 12xC11

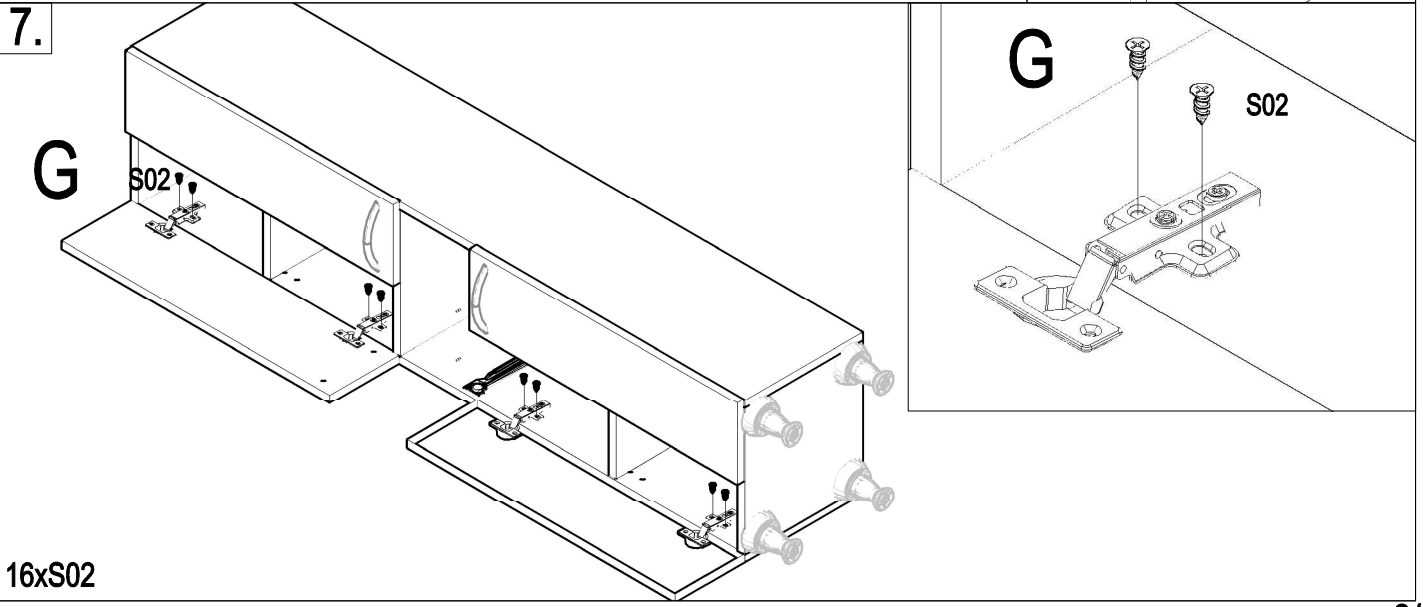


- 4xB01
- 8xS02
- 2xM01
- 4xS11

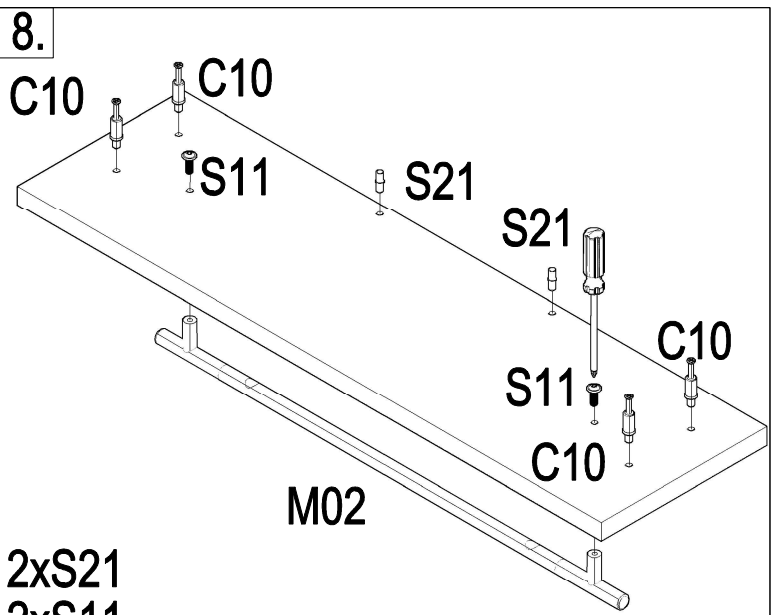
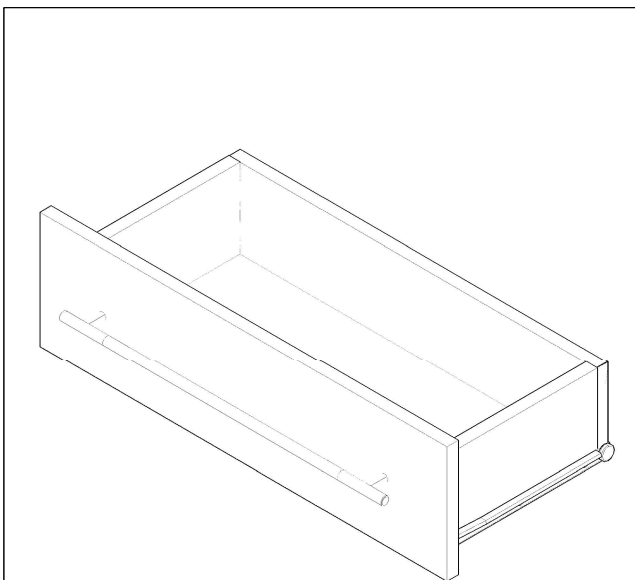




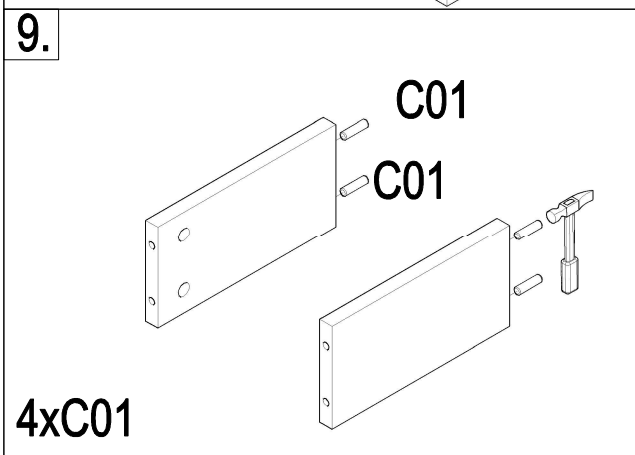
4xP02
24xS02



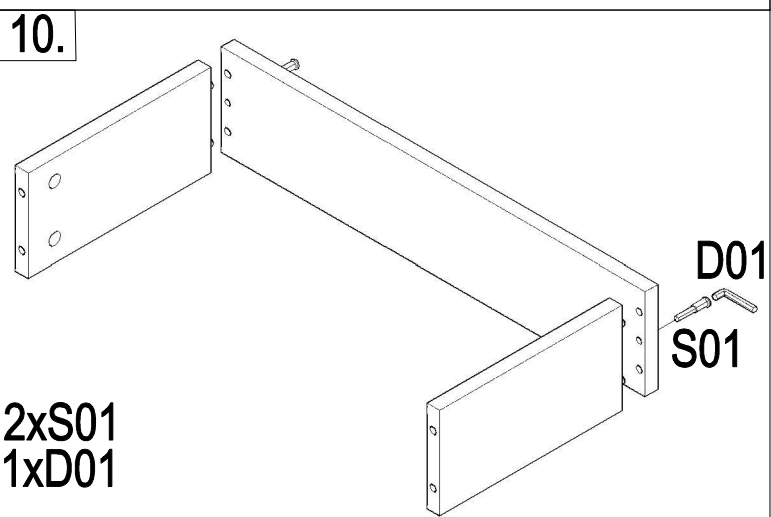
16xS02



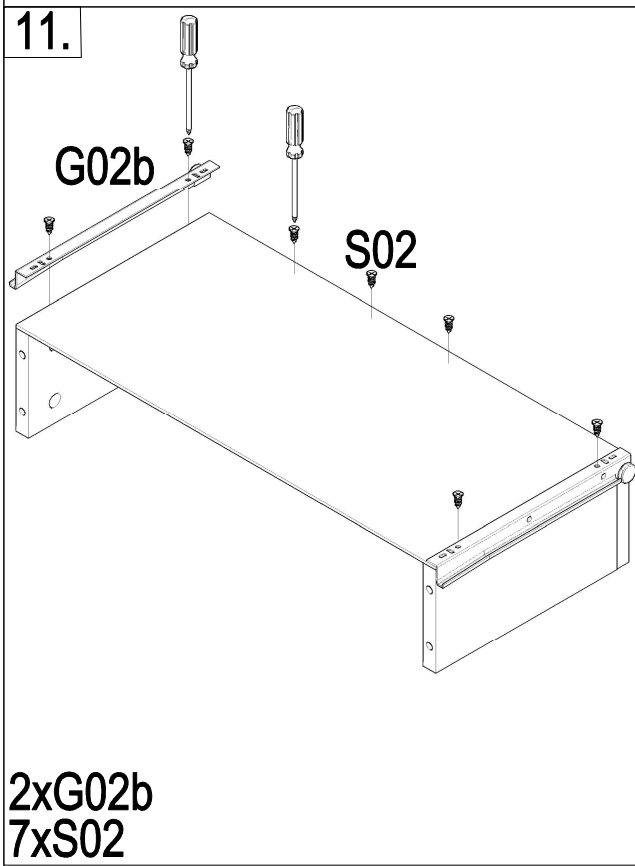
2xS21
2xS11
4xC10
1xM02



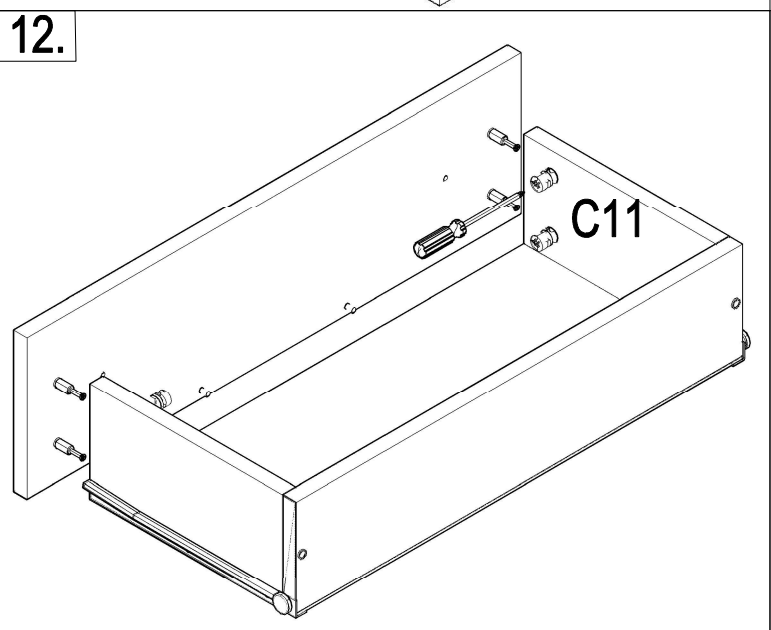
4xC01



2xS01
1xD01



2xG02b
7xS02



4xC11